

	1
	1
	
1-1	
1-1	
1-	
1-	
1-	
1-	11
1-	1
1-	1
1-	1
1-	1
1-10	1
1-11	
1-1	
1-1	
1-1	
1-1	
1-1	0
1-1	
1-1	
	
	
-1	
-1	
-	0
-	1
-	
-	
-	
-	
-	1
-10	
-11	
-1	
-1	
-1	1
-1	
-1	
-1	
-1	
	0

[2014] 55

- 1.
- 2.
- 3.
- 4.

--

--

		1-1	1	1-1	1-1
		-1	1	-1	-1
		-1	1	-1	-1

1

I/O

C

/

Kei I C

2

1

/ /

Kei I C

MCU

/ /

2

6S (

)

/

3

120

4

20		10	0	
				1
				2
		10		3
				4
			5	

10

5

30

Bele ”

1



2

PCB

E

3

1

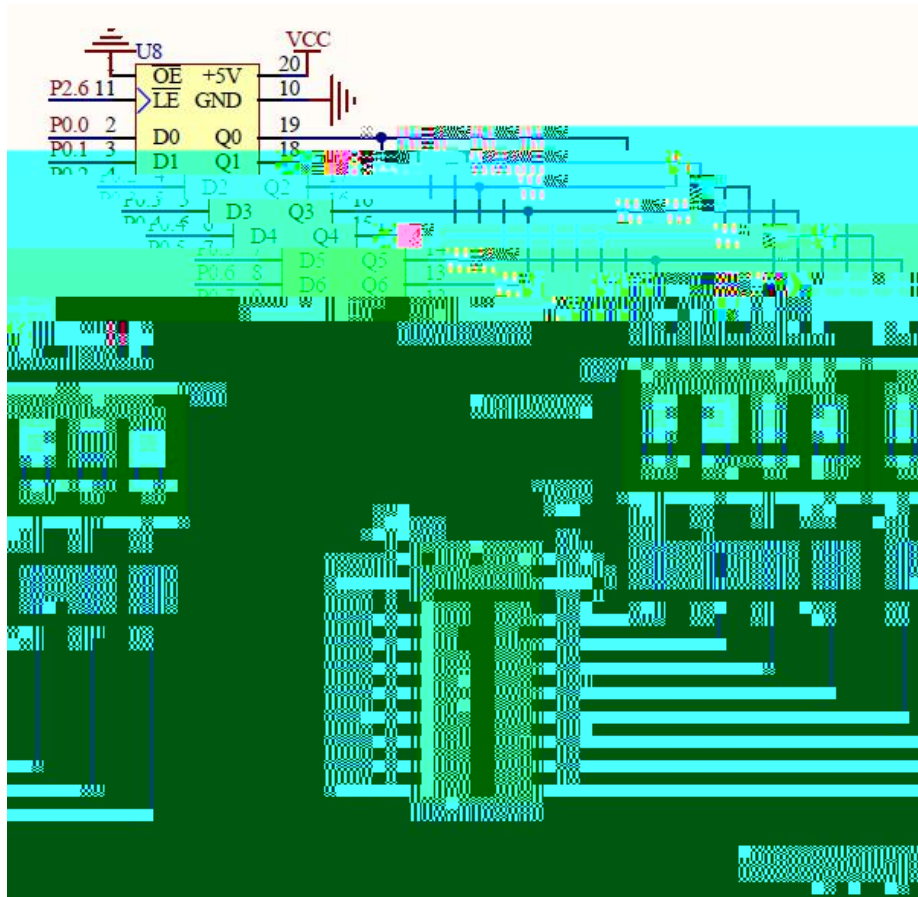


2

PCB
E

3

1

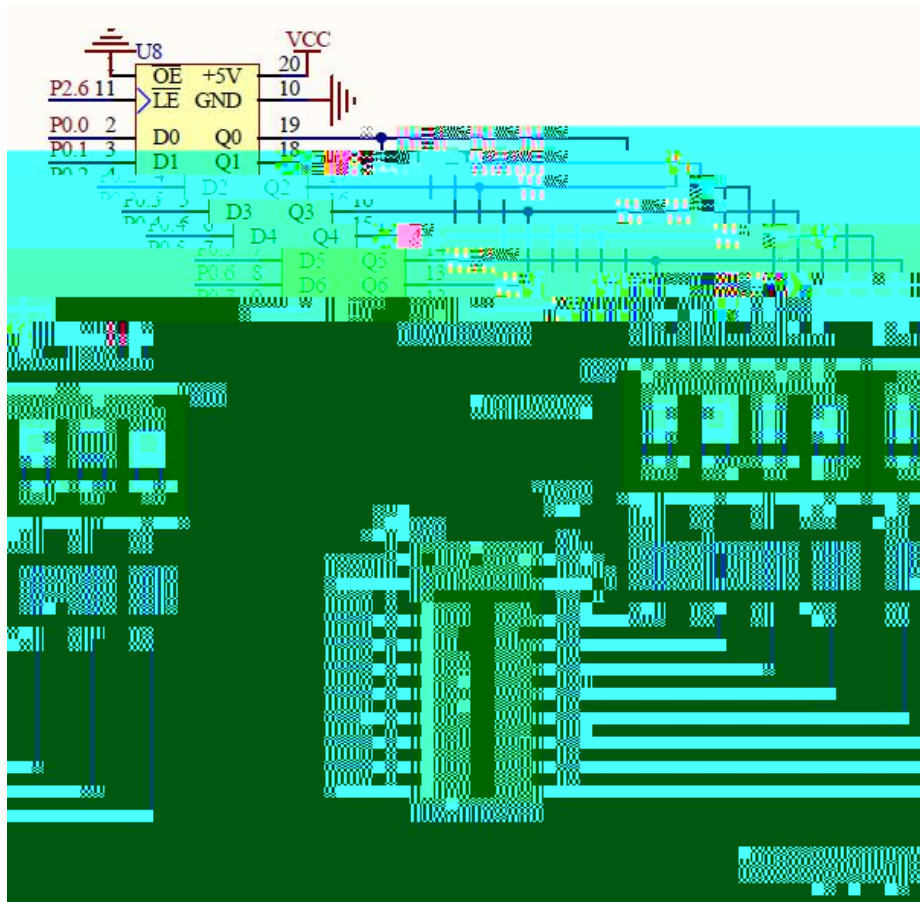


2

PCB
E

3

1



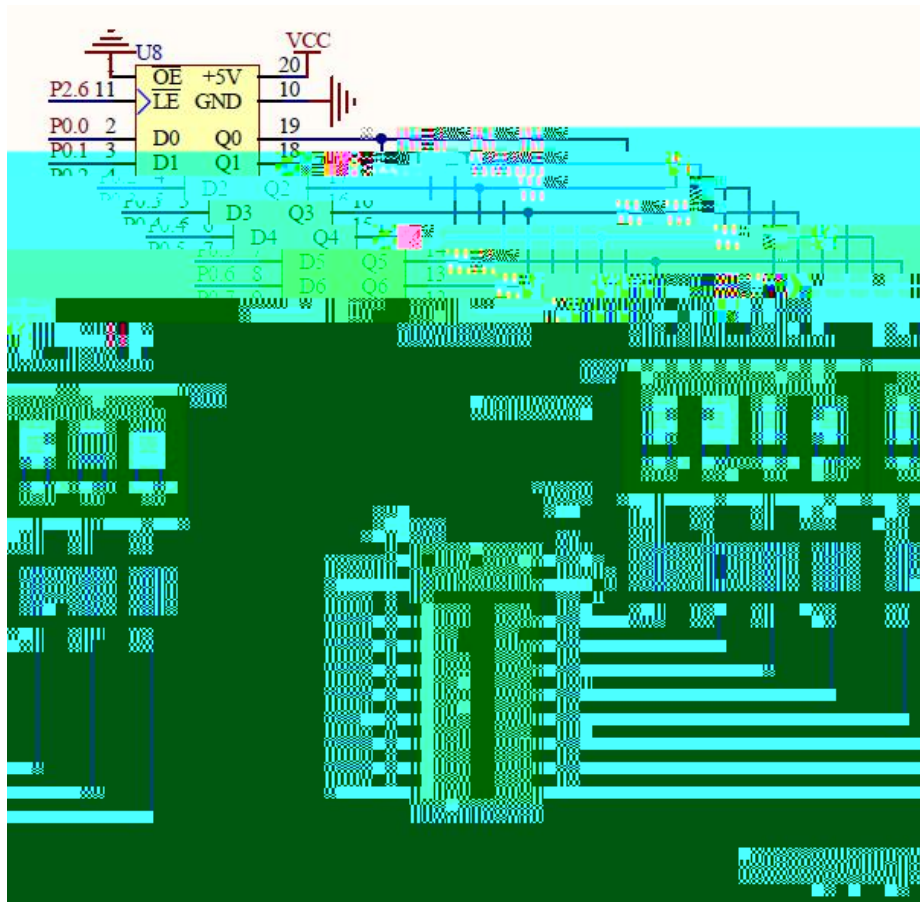
2

PCB

E

3

1



2

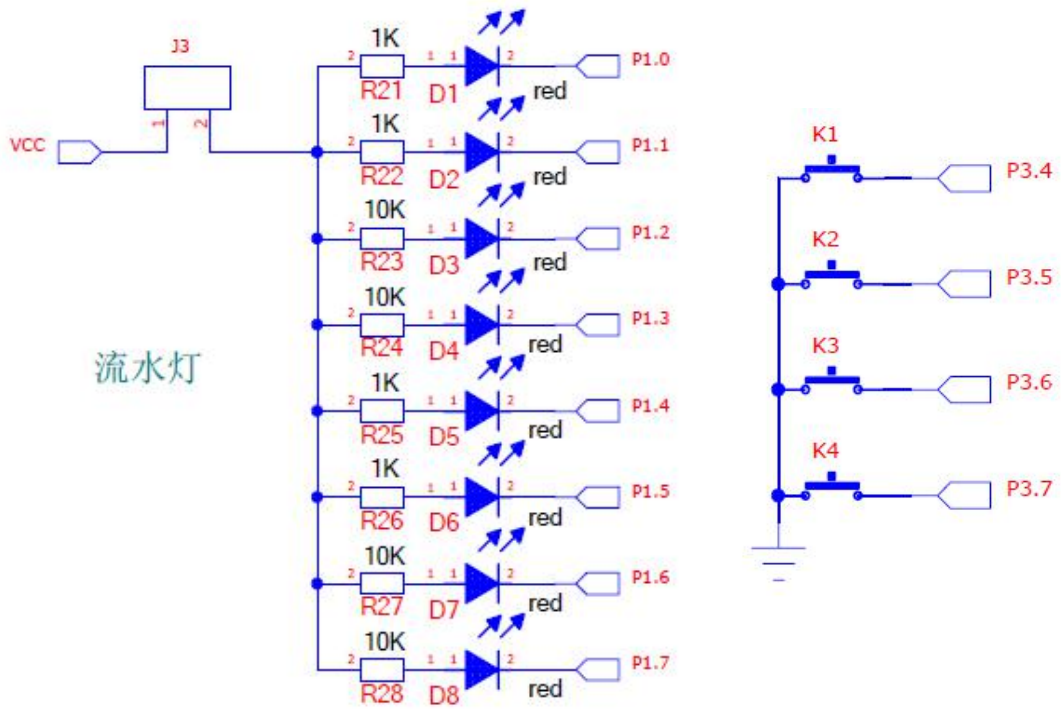
PCB

E

3

1

K1	D1	D2	D3	D4	K2	D5	D6	D7	D8	K3	8
				K4							8



2

PCB
E

3

1

K1 8



2

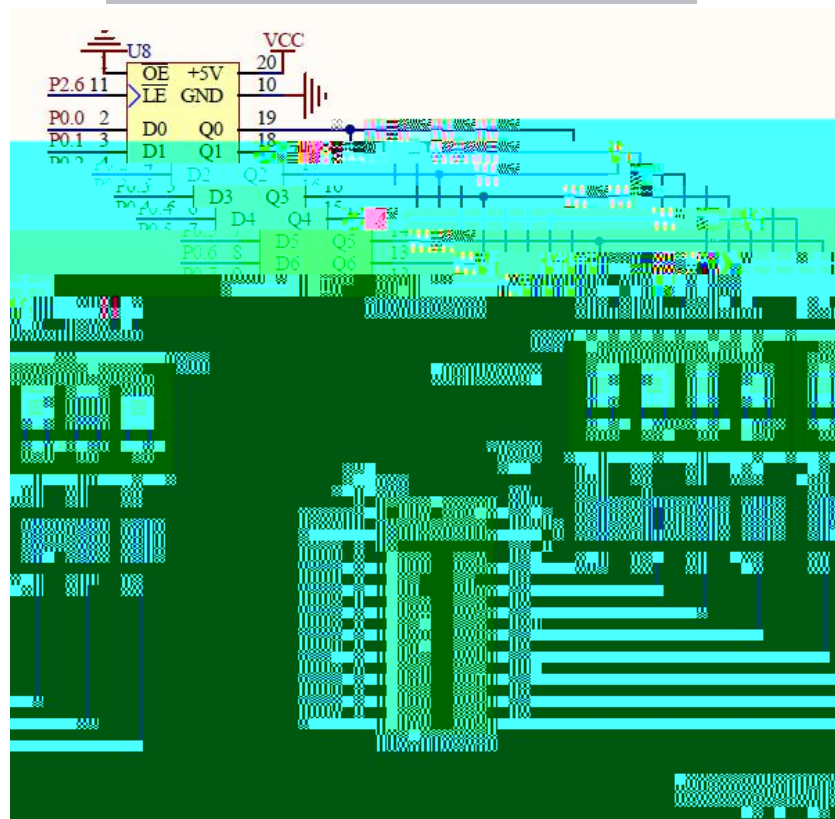
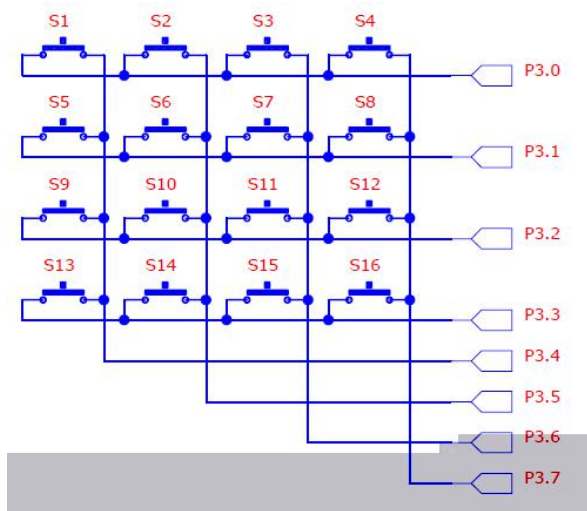
PCB
E

3

1

S1-S16

O-F



2

PCB

E

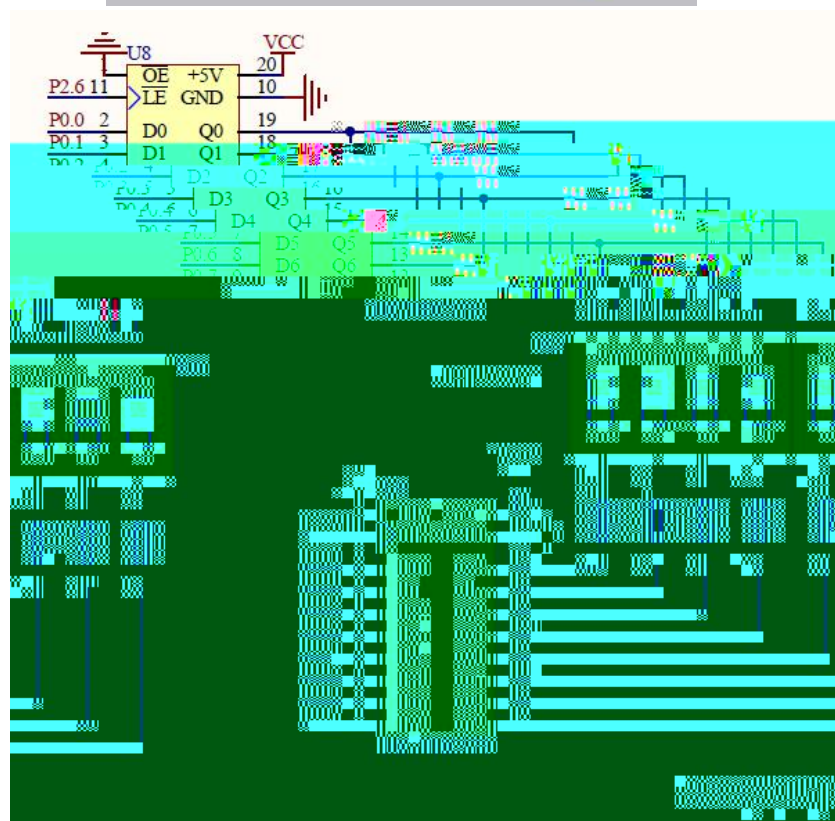
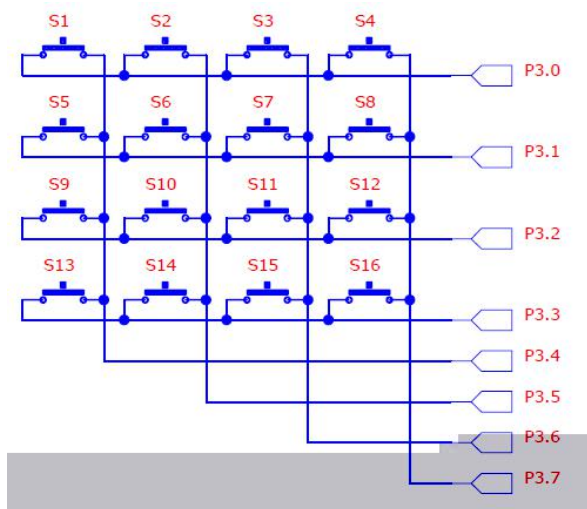
3

1

P3.2

1

9 0



2

PCB

E

3

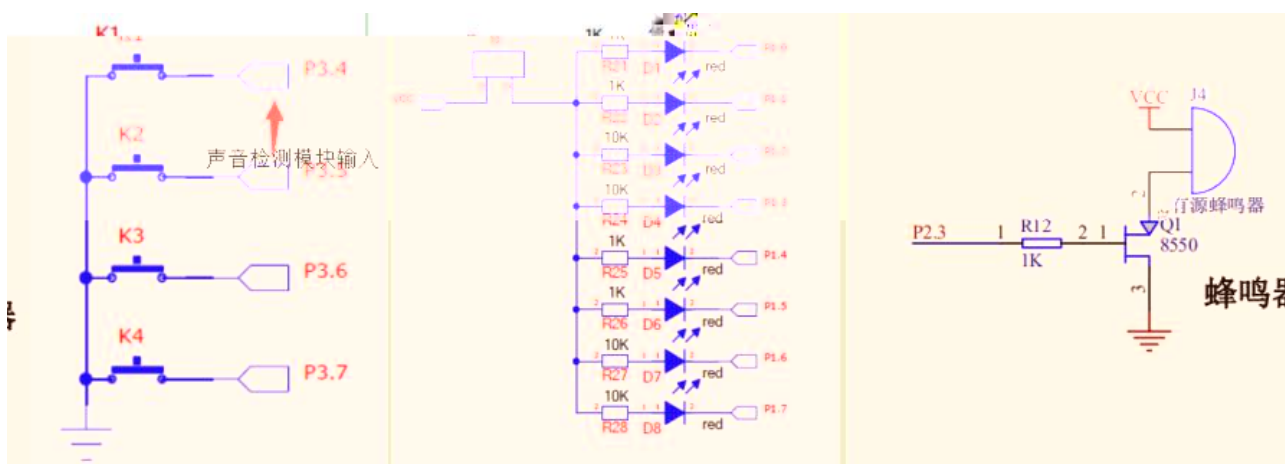
1

P3.4

1

P3.4

D1



1

2

PCB

E

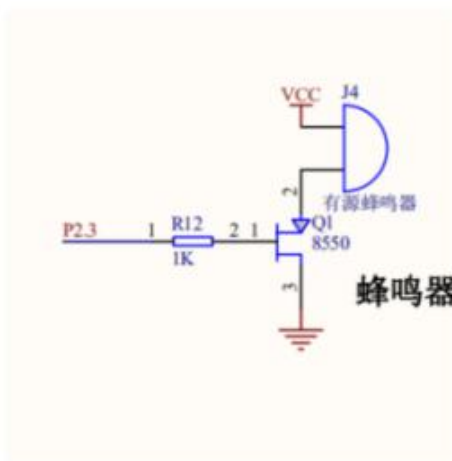
3

1

P3.7

1

P3.7



1

2

PCB
E

3

1

1

K1

D1

K2

D2



1

2

PCB

E

3

1

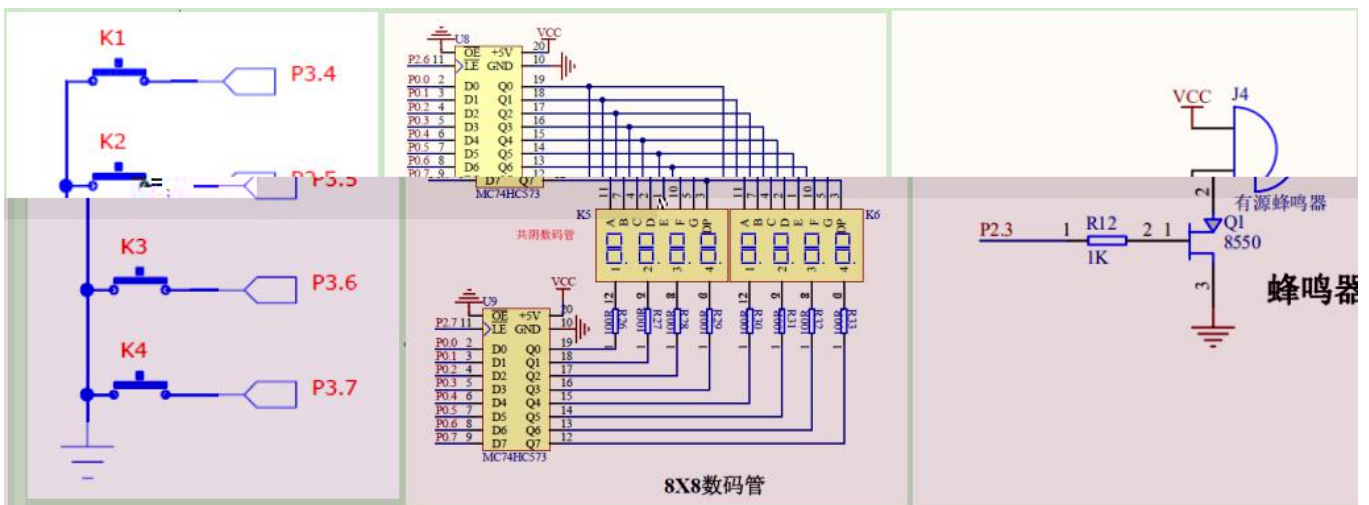
1

K1

K2 K3 K4

K1

" 1"



2

PCB

E

3

1

2



2

PCB

E

3

1

1

P3.6

P3.6



1

2

PCB

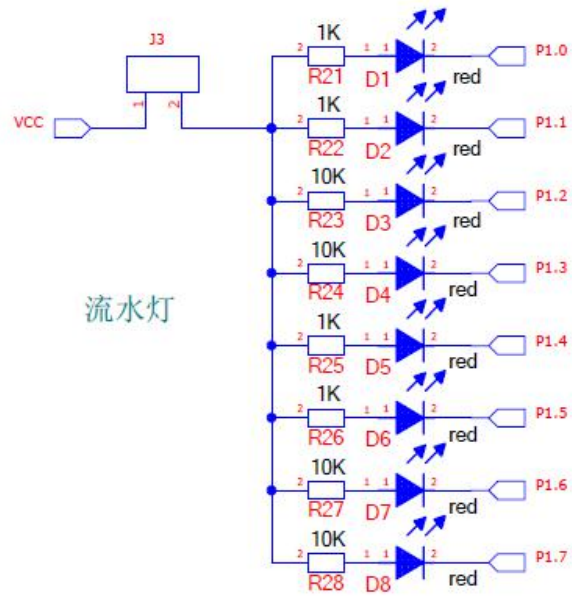
E

3

0

1

0.5S 0.5S



2

PCB

E

3

1

K1

D1-D4

K2

D5-D8



2

PCB

E

3

1

/ /

1

/ /

/ /

()

/

1 0

20		10			0
			1		
		10	2		
			3		

			4	
			5	
30		10		
		5		
		5		
		10		
50		5		
		5	1 2	PCB
		10		
		15	1 2 3	
		15		

5

18

1



2

3

1



2

3

1



2

3

1



2

3

1



2



3

1

1	VBAT	VDD	64
2	PC13/ANT1	VSS	63
3	PC14/OSC32	PB9/TIM4_CH4/SDIO_D5	62
4	PC15/OSC32	PB8/TIM4_CH3/SDIO_D4	61
5	PD0/OSCIN	...	60
6	PD1/OSCOU	BOOT0	59
7	NRST	PB7/I2C1_SDA/TIM4_CH2	58
8	PC0/ADC10	PB6/I2C1_SCL/TIM4_CH1	57
9	PC1/ADC11	PB5/I2C1_SMBA/SPI3_MOSI/I2S3_SD	56
10	PC2/ADC12	PB4/JNTRST/SPI3_MISO	55
11	PC3/ADC13	PB3/JTDO/SPI3_SCK/I2S3_CK	54
12	VSSA	PD2/U5_RX/TIM3_ETR/SDIO_CMD	53
13	VDDA	PC12/U5_TX/SDIO_CK	52
14	PA0/WKUP/ADC0/TIM2_CH1_ETR/TIM5_CH1/TIM8_ETR	PC11/U4_RX/SDIO_D3	51
15	PA1/ADC1/TIM2_CH2/TIM5_CH2	PC10/U4_TX/SDIO_D2	50
16	PA2/U2_TX/ADC2/TIM2_CH3/TIM5_CH3	PA15/JTDI/SPI3_NSS/I2S3_WS	49
17	PA3/U2_RX/ADC3/TIM2_CH4/TIM5_CH4	PA14/JTCK/SWCLK	48
18	VDD	VDD	4
19	VSS	VSS	5
20	PA4/ADC0/ADC0/ADC0	PA13/TIM2_CH3	6
21	PA5/ADC0/ADC0/ADC0	PA12/TIM2_CH2	7
22	PA6/ADC0/ADC0/ADC0	PA11/TIM2_CH1	8
23	PA7/ADC0/ADC0/ADC0	PA10/TIM2_CH0	9
24	PA8/ADC0/ADC0/ADC0	PA9/TIM2_CH0	10
25	PA9/ADC0/ADC0/ADC0	PA8/TIM2_CH0	11
26	PA10/ADC0/ADC0/ADC0	PA7/TIM2_CH0	12
27	PA11/ADC0/ADC0/ADC0	PA6/TIM2_CH0	13
28	PA12/ADC0/ADC0/ADC0	PA5/TIM2_CH0	14
29	PA13/ADC0/ADC0/ADC0	PA4/TIM2_CH0	15
30	PA14/ADC0/ADC0/ADC0	PA3/TIM2_CH0	16
31	PA15/ADC0/ADC0/ADC0	PA2/TIM2_CH0	17
32	PA16/ADC0/ADC0/ADC0	PA1/TIM2_CH0	18
33	PA17/ADC0/ADC0/ADC0	PA0/TIM2_CH0	19
34	PA18/ADC0/ADC0/ADC0	PA15/TIM2_CH0	20
35	PA19/ADC0/ADC0/ADC0	PA14/TIM2_CH0	21
36	PA20/ADC0/ADC0/ADC0	PA13/TIM2_CH0	22
37	PA21/ADC0/ADC0/ADC0	PA12/TIM2_CH0	23
38	PA22/ADC0/ADC0/ADC0	PA11/TIM2_CH0	24
39	PA23/ADC0/ADC0/ADC0	PA10/TIM2_CH0	25
40	PA24/ADC0/ADC0/ADC0	PA9/TIM2_CH0	26
41	PA25/ADC0/ADC0/ADC0	PA8/TIM2_CH0	27
42	PA26/ADC0/ADC0/ADC0	PA7/TIM2_CH0	28
43	PA27/ADC0/ADC0/ADC0	PA6/TIM2_CH0	29
44	PA28/ADC0/ADC0/ADC0	PA5/TIM2_CH0	30
45	PA29/ADC0/ADC0/ADC0	PA4/TIM2_CH0	31
46	PA30/ADC0/ADC0/ADC0	PA3/TIM2_CH0	32
47	PA31/ADC0/ADC0/ADC0	PA2/TIM2_CH0	33
48	PA32/ADC0/ADC0/ADC0	PA1/TIM2_CH0	34
49	PA33/ADC0/ADC0/ADC0	PA0/TIM2_CH0	35
50	PA34/ADC0/ADC0/ADC0	PA15/TIM2_CH0	36
51	PA35/ADC0/ADC0/ADC0	PA14/TIM2_CH0	37
52	PA36/ADC0/ADC0/ADC0	PA13/TIM2_CH0	38
53	PA37/ADC0/ADC0/ADC0	PA12/TIM2_CH0	39
54	PA38/ADC0/ADC0/ADC0	PA11/TIM2_CH0	40
55	PA39/ADC0/ADC0/ADC0	PA10/TIM2_CH0	41
56	PA40/ADC0/ADC0/ADC0	PA9/TIM2_CH0	42
57	PA41/ADC0/ADC0/ADC0	PA8/TIM2_CH0	43
58	PA42/ADC0/ADC0/ADC0	PA7/TIM2_CH0	44
59	PA43/ADC0/ADC0/ADC0	PA6/TIM2_CH0	45
60	PA44/ADC0/ADC0/ADC0	PA5/TIM2_CH0	46
61	PA45/ADC0/ADC0/ADC0	PA4/TIM2_CH0	47
62	PA46/ADC0/ADC0/ADC0	PA3/TIM2_CH0	48
63	PA47/ADC0/ADC0/ADC0	PA2/TIM2_CH0	49
64	PA48/ADC0/ADC0/ADC0	PA1/TIM2_CH0	50
65	PA49/ADC0/ADC0/ADC0	PA0/TIM2_CH0	51
66	PA50/ADC0/ADC0/ADC0	PA15/TIM2_CH0	52
67	PA51/ADC0/ADC0/ADC0	PA14/TIM2_CH0	53
68	PA52/ADC0/ADC0/ADC0	PA13/TIM2_CH0	54
69	PA53/ADC0/ADC0/ADC0	PA12/TIM2_CH0	55
70	PA54/ADC0/ADC0/ADC0	PA11/TIM2_CH0	56
71	PA55/ADC0/ADC0/ADC0	PA10/TIM2_CH0	57
72	PA56/ADC0/ADC0/ADC0	PA9/TIM2_CH0	58
73	PA57/ADC0/ADC0/ADC0	PA8/TIM2_CH0	59
74	PA58/ADC0/ADC0/ADC0	PA7/TIM2_CH0	60
75	PA59/ADC0/ADC0/ADC0	PA6/TIM2_CH0	61
76	PA60/ADC0/ADC0/ADC0	PA5/TIM2_CH0	62
77	PA61/ADC0/ADC0/ADC0	PA4/TIM2_CH0	63
78	PA62/ADC0/ADC0/ADC0	PA3/TIM2_CH0	64
79	PA63/ADC0/ADC0/ADC0	PA2/TIM2_CH0	65
80	PA64/ADC0/ADC0/ADC0	PA1/TIM2_CH0	66
81	PA65/ADC0/ADC0/ADC0	PA0/TIM2_CH0	67
82	PA66/ADC0/ADC0/ADC0	PA15/TIM2_CH0	68
83	PA67/ADC0/ADC0/ADC0	PA14/TIM2_CH0	69
84	PA68/ADC0/ADC0/ADC0	PA13/TIM2_CH0	70
85	PA69/ADC0/ADC0/ADC0	PA12/TIM2_CH0	71
86	PA70/ADC0/ADC0/ADC0	PA11/TIM2_CH0	72
87	PA71/ADC0/ADC0/ADC0	PA10/TIM2_CH0	73
88	PA72/ADC0/ADC0/ADC0	PA9/TIM2_CH0	74
89	PA73/ADC0/ADC0/ADC0	PA8/TIM2_CH0	75
90	PA74/ADC0/ADC0/ADC0	PA7/TIM2_CH0	76
91	PA75/ADC0/ADC0/ADC0	PA6/TIM2_CH0	77
92	PA76/ADC0/ADC0/ADC0	PA5/TIM2_CH0	78
93	PA77/ADC0/ADC0/ADC0	PA4/TIM2_CH0	79
94	PA78/ADC0/ADC0/ADC0	PA3/TIM2_CH0	80
95	PA79/ADC0/ADC0/ADC0	PA2/TIM2_CH0	81
96	PA80/ADC0/ADC0/ADC0	PA1/TIM2_CH0	82
97	PA81/ADC0/ADC0/ADC0	PA0/TIM2_CH0	83
98	PA82/ADC0/ADC0/ADC0	PA15/TIM2_CH0	84
99	PA83/ADC0/ADC0/ADC0	PA14/TIM2_CH0	85
100	PA84/ADC0/ADC0/ADC0	PA13/TIM2_CH0	86
101	PA85/ADC0/ADC0/ADC0	PA12/TIM2_CH0	87
102	PA86/ADC0/ADC0/ADC0	PA11/TIM2_CH0	88
103	PA87/ADC0/ADC0/ADC0	PA10/TIM2_CH0	89
104	PA88/ADC0/ADC0/ADC0	PA9/TIM2_CH0	90
105	PA89/ADC0/ADC0/ADC0	PA8/TIM2_CH0	91
106	PA90/ADC0/ADC0/ADC0	PA7/TIM2_CH0	92
107	PA91/ADC0/ADC0/ADC0	PA6/TIM2_CH0	93
108	PA92/ADC0/ADC0/ADC0	PA5/TIM2_CH0	94
109	PA93/ADC0/ADC0/ADC0	PA4/TIM2_CH0	95
110	PA94/ADC0/ADC0/ADC0	PA3/TIM2_CH0	96
111	PA95/ADC0/ADC0/ADC0	PA2/TIM2_CH0	97
112	PA96/ADC0/ADC0/ADC0	PA1/TIM2_CH0	98
113	PA97/ADC0/ADC0/ADC0	PA0/TIM2_CH0	99
114	PA98/ADC0/ADC0/ADC0	PA15/TIM2_CH0	100
115	PA99/ADC0/ADC0/ADC0	PA14/TIM2_CH0	101
116	PA100/ADC0/ADC0/ADC0	PA13/TIM2_CH0	102
117	PA101/ADC0/ADC0/ADC0	PA12/TIM2_CH0	103
118	PA102/ADC0/ADC0/ADC0	PA11/TIM2_CH0	104
119	PA103/ADC0/ADC0/ADC0	PA10/TIM2_CH0	105
120	PA104/ADC0/ADC0/ADC0	PA9/TIM2_CH0	106
121	PA105/ADC0/ADC0/ADC0	PA8/TIM2_CH0	107
122	PA106/ADC0/ADC0/ADC0	PA7/TIM2_CH0	108
123	PA107/ADC0/ADC0/ADC0	PA6/TIM2_CH0	109
124	PA108/ADC0/ADC0/ADC0	PA5/TIM2_CH0	110
125	PA109/ADC0/ADC0/ADC0	PA4/TIM2_CH0	111
126	PA110/ADC0/ADC0/ADC0	PA3/TIM2_CH0	112
127	PA111/ADC0/ADC0/ADC0	PA2/TIM2_CH0	113
128	PA112/ADC0/ADC0/ADC0	PA1/TIM2_CH0	114
129	PA113/ADC0/ADC0/ADC0	PA0/TIM2_CH0	115
130	PA114/ADC0/ADC0/ADC0	PA15/TIM2_CH0	116
131	PA115/ADC0/ADC0/ADC0	PA14/TIM2_CH0	117
132	PA116/ADC0/ADC0/ADC0	PA13/TIM2_CH0	118
133	PA117/ADC0/ADC0/ADC0	PA12/TIM2_CH0	119
134	PA118/ADC0/ADC0/ADC0	PA11/TIM2_CH0	120
135	PA119/ADC0/ADC0/ADC0	PA10/TIM2_CH0	121
136	PA120/ADC0/ADC0/ADC0	PA9/TIM2_CH0	122
137	PA121/ADC0/ADC0/ADC0	PA8/TIM2_CH0	123
138	PA122/ADC0/ADC0/ADC0	PA7/TIM2_CH0	124
139	PA123/ADC0/ADC0/ADC0	PA6/TIM2_CH0	125
140	PA124/ADC0/ADC0/ADC0	PA5/TIM2_CH0	126
141	PA125/ADC0/ADC0/ADC0	PA4/TIM2_CH0	127
142	PA126/ADC0/ADC0/ADC0	PA3/TIM2_CH0	128
143	PA127/ADC0/ADC0/ADC0	PA2/TIM2_CH0	129
144	PA128/ADC0/ADC0/ADC0	PA1/TIM2_CH0	130
145	PA129/ADC0/ADC0/ADC0	PA0/TIM2_CH0	131
146	PA130/ADC0/ADC0/ADC0	PA15/TIM2_CH0	132
147	PA131/ADC0/ADC0/ADC0	PA14/TIM2_CH0	133
148	PA132/ADC0/ADC0/ADC0	PA13/TIM2_CH0	134
149	PA133/ADC0/ADC0/ADC0	PA12/TIM2_CH0	135
150	PA134/ADC0/ADC0/ADC0	PA11/TIM2_CH0	136
151	PA135/ADC0/ADC0/ADC0	PA10/TIM2_CH0	137
152	PA136/ADC0/ADC0/ADC0	PA9/TIM2_CH0	138
153	PA137/ADC0/ADC0/ADC0	PA8/TIM2_CH0	139
154	PA138/ADC0/ADC0/ADC0	PA7/TIM2_CH0	140
155	PA139/ADC0/ADC0/ADC0	PA6/TIM2_CH0	141
156	PA140/ADC0/ADC0/ADC0	PA5/TIM2_CH0	142
157	PA141/ADC0/ADC0/ADC0	PA4/TIM2_CH0	143
158	PA142/ADC0/ADC0/ADC0	PA3/TIM2_CH0	144
159	PA143/ADC0/ADC0/ADC0	PA2/TIM2_CH0	145
160	PA144/ADC0/ADC0/ADC0	PA1/TIM2_CH0	146
161	PA145/ADC0/ADC0/ADC0	PA0/TIM2_CH0	147
162	PA146/ADC0/ADC0/ADC0	PA15/TIM2_CH0	148
163	PA147/ADC0/ADC0/ADC0	PA14/TIM2_CH0	149
164	PA148/ADC0/ADC0/ADC0	PA13/TIM2_CH0	150
165	PA149/ADC0/ADC0/ADC0	PA12/TIM2_CH0	151
166	PA150/ADC0/ADC0/ADC0	PA11/TIM2_CH0	152
167	PA151/ADC0/ADC0/ADC0	PA10/TIM2_CH0	153
168	PA152/ADC0/ADC0/ADC0	PA9/TIM2_CH0	154
169	PA153/ADC0/ADC0/ADC0	PA8/TIM2_CH0	155
170	PA154/ADC0/ADC0/ADC0	PA7/TIM2_CH0	156
171	PA155/ADC0/ADC0/ADC0	PA6/TIM2_CH0	157
172	PA156/ADC0/ADC0/ADC0	PA5/TIM2_CH0	158
173	PA157/ADC0/ADC0/ADC0	PA4/TIM2_CH0	159
174	PA158/ADC0/ADC0/ADC0	PA3/TIM2_CH0	160
175	PA159/ADC0/ADC0/ADC0	PA2/TIM2_CH0	161
176	PA160/ADC0/ADC0/ADC0	PA1/TIM2_CH0	162
177	PA161/ADC0/ADC0/ADC0	PA0/TIM2_CH0	163
178	PA162/ADC0/ADC0/ADC0	PA15/TIM2_CH0	164
179	PA163/ADC0/ADC0/ADC0	PA14/TIM2_CH0	165
180	PA164/ADC0/ADC0/ADC0	PA13/TIM2_CH0	166
181	PA165/ADC0/ADC0/ADC0	PA12/TIM2_CH0	167
182	PA166/ADC0/ADC0/ADC0	PA11/TIM2_CH0	168
183	PA167/ADC0/ADC0/ADC0	PA10/TIM2_CH0	169
184	PA168/ADC0/ADC0/ADC0	PA9/TIM2_CH0	170
185	PA169/ADC0/ADC0/ADC0	PA8/TIM2_CH0	171
186	PA170/ADC0/ADC0/ADC0	PA7/TIM2_CH0	172
187	PA171/ADC0/ADC0/ADC0	PA6/TIM2_CH0	173
188	PA172/ADC0/ADC0/ADC0	PA5/TIM2_CH0	174
189	PA173/ADC0/ADC0/ADC0	PA4/TIM2_CH0	175
190	PA174/ADC0/ADC0/ADC0	PA3/TIM2_CH0	176
191	PA175/ADC0/ADC0/ADC0	PA2/TIM2_CH0	177
192	PA176/ADC0/ADC0/ADC0	PA1/TIM2_CH0	178
193	PA177/ADC0/ADC0/ADC0	PA0/TIM2_CH0	179
194	PA178/ADC0/ADC0/ADC0	PA15/TIM2_CH0	180
195	PA179/ADC0/ADC0/ADC0	PA14/TIM2_CH0	181
196	PA180/ADC0/ADC0/ADC0	PA13/TIM2_CH0	182
197	PA181/ADC0/ADC0/ADC0	PA12/TIM2_CH0	183
198	PA182/ADC0/ADC0/ADC0	PA11/TIM2_CH0	184
199	PA183/ADC0/ADC0/ADC0	PA10/TIM2_CH0	185
200	PA184/ADC0/ADC0/ADC0	PA9/TIM2_CH0	186
201	PA185/ADC0/ADC0/ADC0	PA8/TIM2_CH0	187
202	PA186/ADC0/ADC0/ADC0	PA7/TIM2_CH0	188
203	PA187/ADC0/ADC0/ADC0	PA6/TIM2_CH0	189
204	PA188/ADC0/ADC0/ADC0	PA5/TIM2_CH0	190
205	PA189/ADC0/ADC0/ADC0	PA4/TIM2_CH0	191
206	PA190/ADC0/ADC0/ADC0	PA3/TIM2_CH0	192
207	PA191/ADC0/ADC0/ADC0	PA2/TIM2_CH0	193
208	PA192/ADC0/ADC0/ADC0	PA1/TIM2_CH0	194
209	PA193/ADC0/ADC0/ADC0	PA0/TIM2_CH0	195
210	PA194/ADC0/ADC0/ADC0	PA15/TIM2_CH0	196
211	PA195/ADC0/ADC0/ADC0	PA14/TIM2_CH0	197
212	PA196/ADC0/ADC0/ADC0	PA13/TIM2_CH0	198
213	PA197/ADC0/ADC0/ADC0	PA12/TIM2_CH0	199
214	PA198/ADC0/ADC0/ADC0	PA11/TIM2_CH0	200
215	PA199/ADC0/ADC0/ADC0	PA10/TIM2_CH0	201
216	PA200/ADC0/ADC0/ADC0	PA9/TIM2_CH0	202
217	PA201/ADC0/ADC0/ADC0	PA8/TIM2_CH0	203
218	PA202/ADC0/ADC0/ADC0	PA7/TIM2_CH0	204
219	PA203/ADC0/ADC0/ADC0	PA6/TIM2_CH0	205
220	PA204/ADC0/ADC0/ADC0	PA5/TIM2_CH0	206
221	PA205/ADC0/ADC0/ADC0	PA4/TIM2_CH0	207
222	PA206/ADC0/ADC0/ADC0	PA3/TIM2_CH0	208
223	PA207/ADC0/ADC0/ADC0	PA2/TIM2_CH0	209
224	PA208/ADC0/ADC0/ADC0	PA1/TIM2_CH0	210
225	PA209/ADC0/ADC0/ADC0	PA0/TIM2_CH0	211
226	PA210/ADC0/ADC0/ADC0	PA15/TIM2_CH0	212
227	PA211/ADC0/ADC0/ADC0	PA14/TIM2_CH0	213
228	PA212/ADC0/ADC0/ADC0	PA13/TIM2_CH0	214
229	PA213/ADC0/ADC0/ADC0	PA12/TIM2_CH0	215
230	PA214/ADC0/ADC0/ADC0	PA11/TIM2_CH0	216
231	PA215/ADC0/ADC0/ADC0	PA10/TIM2_CH0	217
232	PA216/ADC0/ADC0/ADC0	PA9/TIM2_CH0	218
233	PA217/ADC0/ADC0/ADC0	PA8/TIM2_CH0	219
234	PA218/ADC0/ADC0/ADC0	PA7/TIM2_CH0	220
235	PA219/ADC0/ADC0/ADC0	PA6/TIM2_CH0	221
236	PA220/ADC0/ADC0/ADC0	PA5/TIM2_CH0	222
237	PA221/ADC0/ADC0/ADC0	PA4/TIM2_CH0	223
238	PA222/ADC0/ADC0/ADC0	PA3/TIM2_CH0	224
239	PA223/ADC0/ADC0/ADC0	PA2/TIM2_CH0	225
240	PA224/ADC0/ADC0/ADC0	PA1/TIM2_CH0	226
241	PA225/ADC0/ADC0/ADC0	PA0/TIM2_CH0	227
242	PA226/ADC0/ADC0/ADC0	PA15/TIM2_CH0	228
243	PA227/ADC0/ADC0/ADC0	PA14/TIM2_CH0	229
244	PA228/ADC0/ADC0/ADC0	PA13/TIM2_CH0	230
245	PA229/ADC0/ADC0/ADC0	PA12/TIM2_CH0	231
246	PA230/ADC0/ADC0/ADC0	PA11/TIM2_CH0	232
247	PA231/ADC0/ADC0/ADC0	PA10/TIM2_CH0	233
248	PA232/ADC0/ADC0/ADC0	PA9/TIM2_CH0	234
249	PA233/ADC0/ADC0/ADC0	PA8/TIM2_CH0	235
250	PA234/ADC0/ADC0/ADC0	PA7/TIM2_CH0	236
251	PA235/ADC0/ADC0/ADC0	PA6/TIM2_CH0	237
252	PA236/ADC0/ADC0/ADC0	PA5/TIM2_CH0	238
253	PA237/ADC0/ADC		

1



2

3

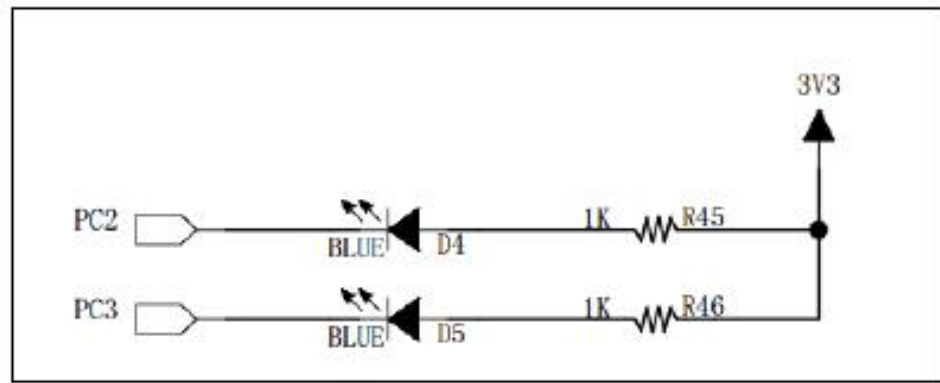
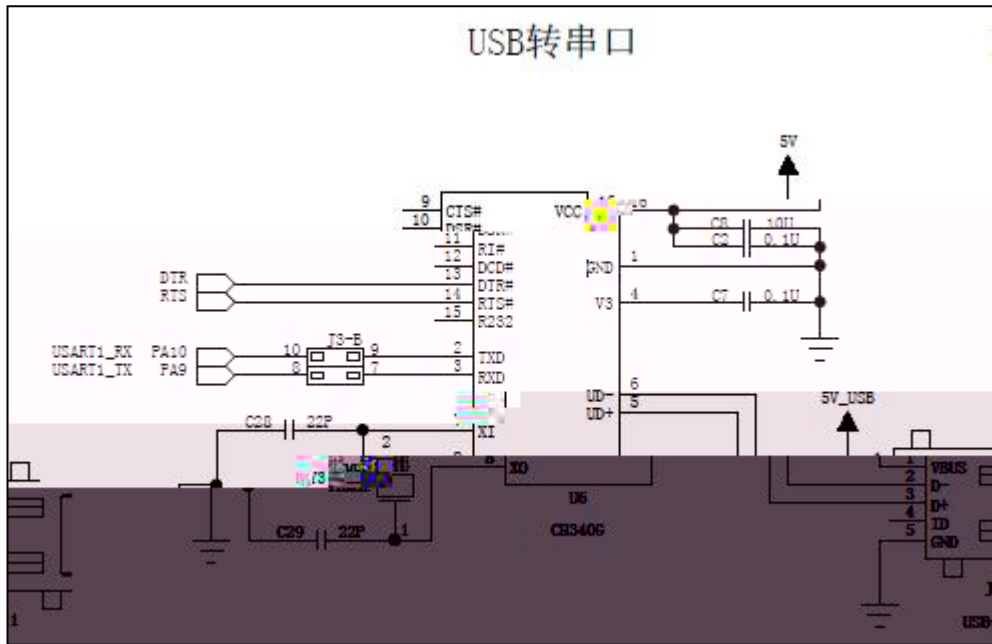
1

1	VBAT	VDD	64
2	PC13/ANT1	VSS	63
3	PC14/OSC32	PB9/TIM4_CH4/SDIO_D5	62
4	PC15/OSC32	PB8/TIM4_CH3/SDIO_D4	61
5	PD0/OSCIN	BOOT0	60
6	PD1/OSCCOUT	PB7/I2C1_SDA/TIM4_CH2	59
7	NRST	PB6/I2C1_SCL/TIM4_CH1	58
8	PC0/ADC10	PB5/I2C1_SMBA/SPI3_MOSI/I2S3_SD	57
9	PC1/ADC11	PB4/JNTRST/SPI3_MISO	56
10	PC2/ADC12	PB3/JTDC/SPI3_SCK/I2S3_CK	55
11	PC3/ADC13	PD2/U5_RX/TIM3_ETR/SDIO_CMD	54
12	VSSA	PC12/U5_TX/SDIO_CK	53
13	VDDA	PC11/U4_RX/SDIO_D3	52
14	PA0/WKUP/ADC0/TIM2_CH1_ETR/TIM5_CH1/TIM8_ETR	PC10/U4_TX/SDIO_D2	51
15	PA1/ADC1/TIM2_CH2/TIM5_CH2	PA15/JTDI/SPI3_NSS/I2S3_WS	50
16	PA2/U2_TX/ADC2/TIM2_CH3/TIM5_CH3	PA14/JTCK/SWCLK	49
17	PA3/U2_RX/ADC3/TIM2_CH4/TIM5_CH4	VDD	4
18	PC4	VDD	62
19	PC5	PA15/JTDI/SPI3_NSS/I2S3_WS	50
20	PC6	PA14/JTCK/SWCLK	49
21	PC7	PC10/U4_TX/SDIO_D2	51
22	PC8	PC11/U4_RX/SDIO_D3	52
23	PC9	PC12/U5_TX/SDIO_CK	53
24	PD4	PD2/U5_RX/TIM3_ETR/SDIO_CMD	54
25	PD5	PB3/JTDC/SPI3_SCK/I2S3_CK	55
26	PD6	PB4/JNTRST/SPI3_MISO	56
27	PD7	PB5/I2C1_SMBA/SPI3_MOSI/I2S3_SD	57
28	PD8	PB6/I2C1_SCL/TIM4_CH1	58
29	PD9	PB7/I2C1_SDA/TIM4_CH2	59
30	PD10	BOOT0	60
31	PD11	PB8/TIM4_CH3/SDIO_D4	61
32	PD12	PB9/TIM4_CH4/SDIO_D5	62
33	PC10	VSS	63
34	PC11	VDD	64

2

3

1



2

3

-

3

-

1

2

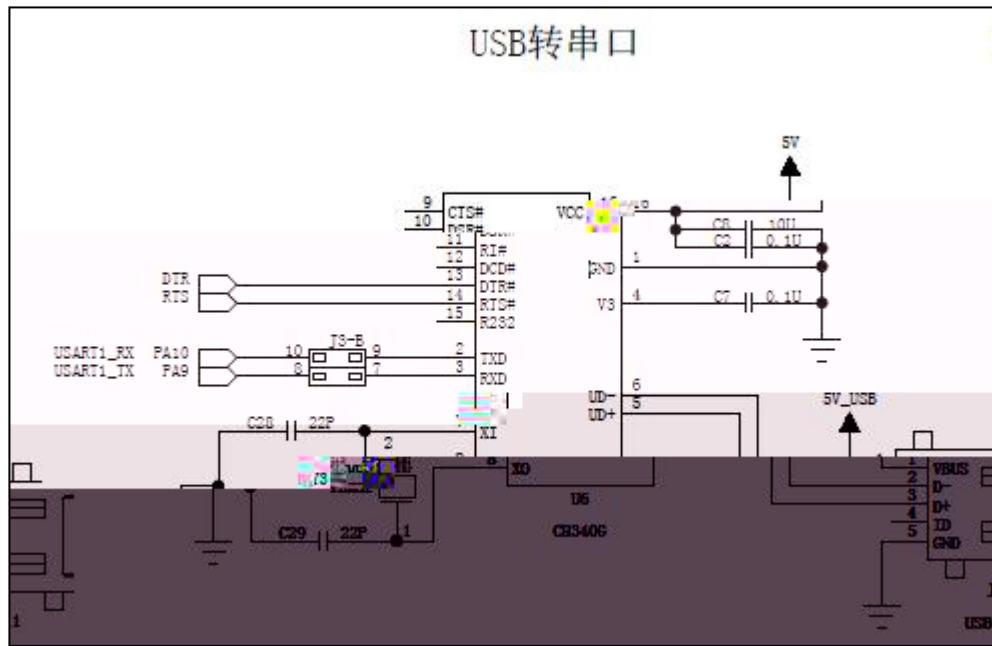


2

3

-

1

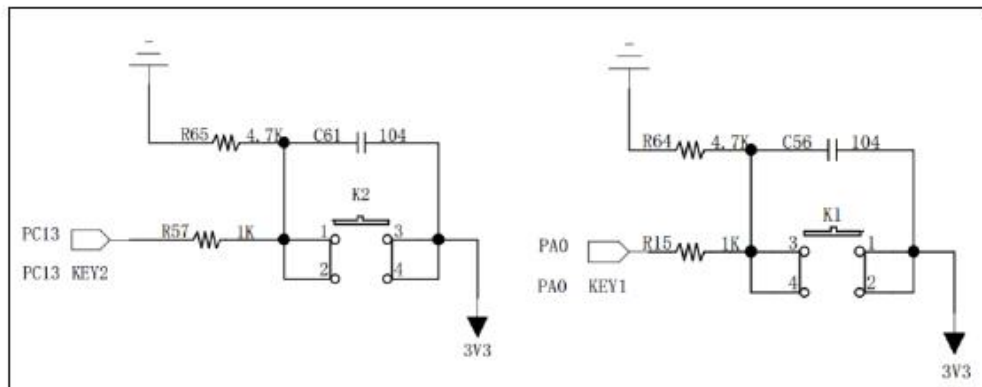
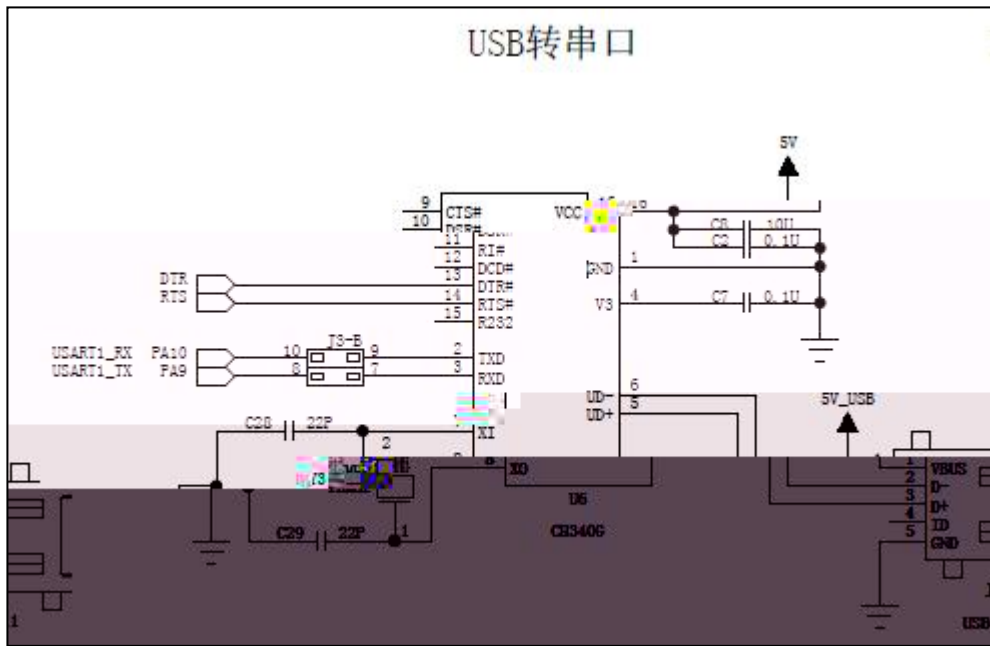


2

3

-

1



2

3

-



2

3

-

1



2

3

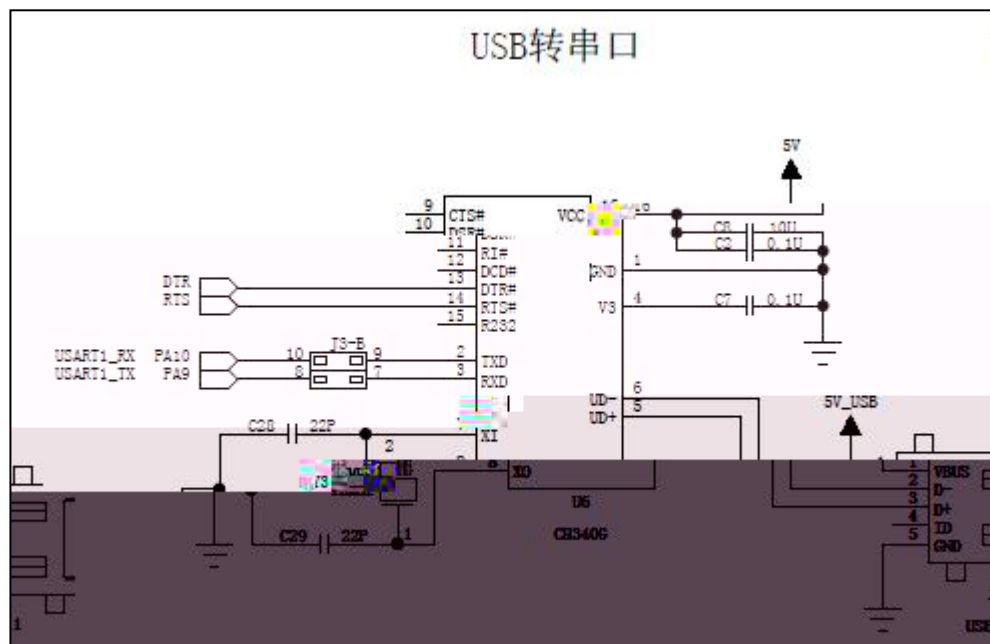


2

3

-

1



2

3

-

1

1

/ /

.0

/ /

()

/

1 0

20		10			0	
			6			
			7			
		10	8			
			9			

			10	
30				
		10		
		10		
50				
		10		

5

18

1
2

20sp

RGB #FF0000



3 :

2
1



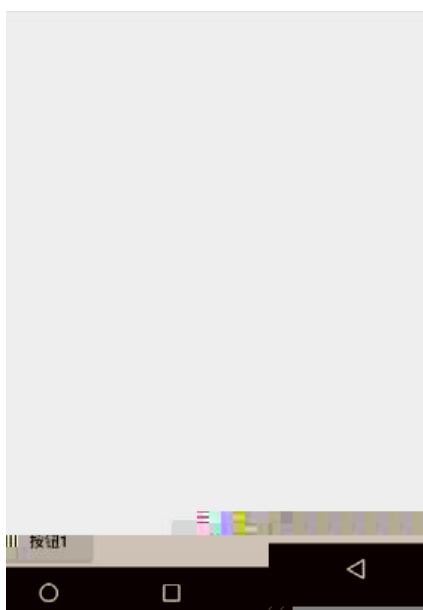
3 :

1

2

1

2



3

:

TextView

2

1



3

1

2



3

2

1

2



3

1

1 1 1 1

2

1

2

1 1 1 1



3

1

2

1



3

1

2

1

2



3

1

2

1

2

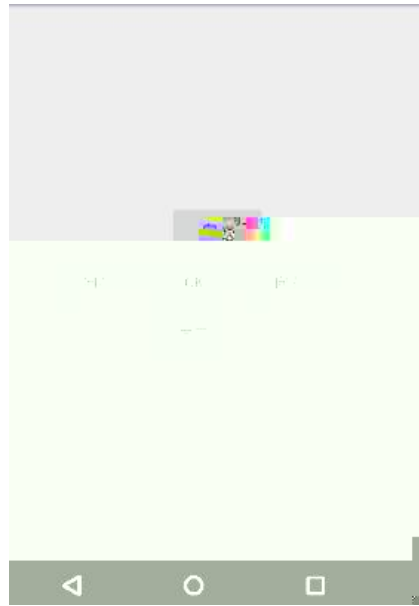


3

1

2

1



3

1

LED

2

1

2

3

TextView LED



3

1

LED

2

1

2

3

TextView LED



3

1

LED

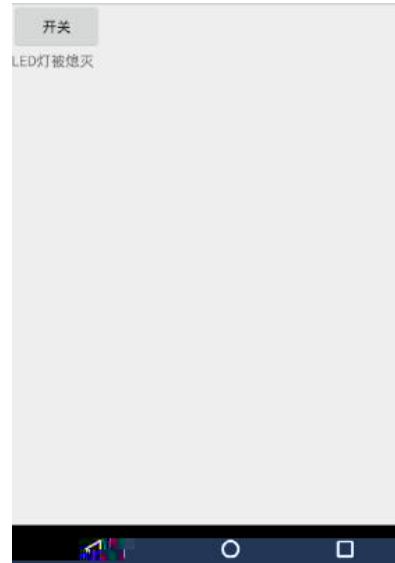
2

1

2

3

TextView LED



3

1

LED

2

1

2

3

4

TextVi ew



3

1

LED

2

1

2

3

4

ImageView

30dp*30dp



3

1

2

1

2



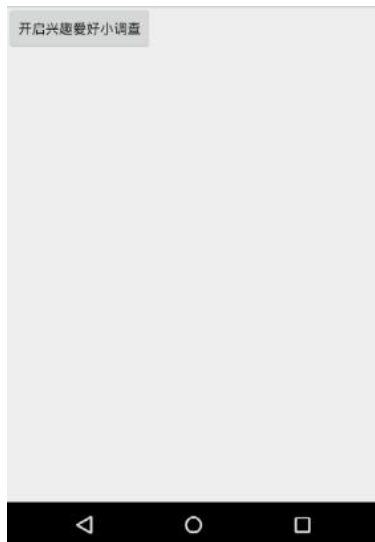
3

1

2

1

2



3